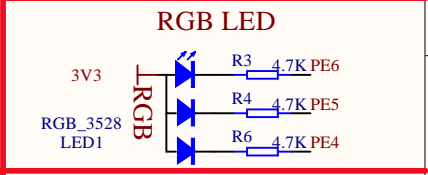
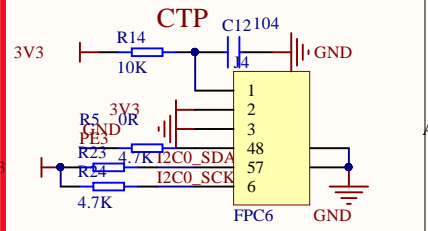
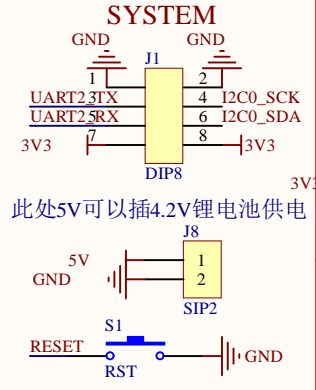
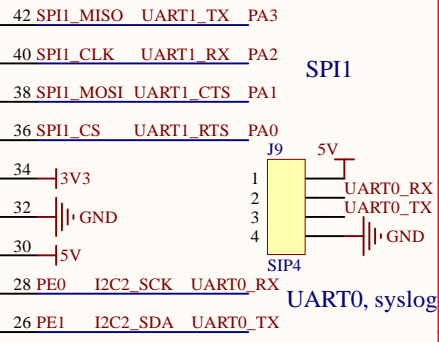


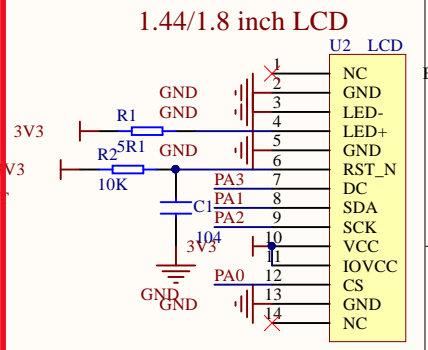
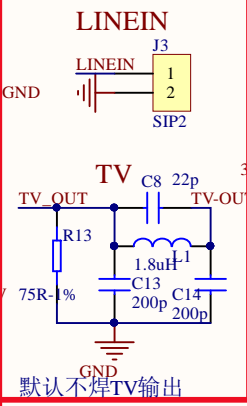
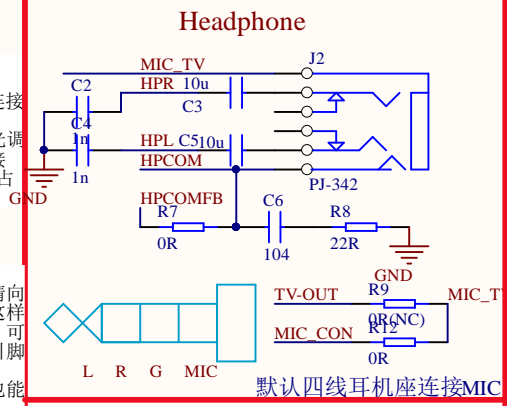
I2C0 for CTP		U1A LicheePi Nano	
PE12 I2C0_SDA PWM0	PE12/DA_MCLK/TWI0_SDA/PWM0	PA3/TPY2/IR_RX/DA_OUT/UART1_TX/SPI1_MISO	42 SPI1_MISO UART1_TX PA3
PE11 I2C0_SCK IR_RX	PE11/CLK_OUT/TWI0_SCK/IR_RX	PA2/TPY1/PWM0/DA_IN/UART1_RX/SPI1_CLK	40 SPI1_CLK UART1_RX PA2
PE10 UART2_CTS7	PE10/CSI_D7/UART2_CTS/SPI1_MISO	PA1/TPX2/-/DA_LRCK/UART1_CTS/SPI1_MOSI	38 SPI1_MOSI UART1_CTS PA1
PE9 UART2_RTS9	PE9/CSI_D6/UART2_RTS/SPI1_CLK	PA0/TPX1/-/DA_BCLK/UART1_RTS/SPI1_CS	36 SPI1_CS UART1_RTS PA0
PE8 UART2_RX11	PE8/CSI_D5/UART2_RX/SPI1_MOSI		34 3V3
PE7 UART2_TX13	PE7/CSI_D4/UART2_TX/SPI1_CS		32 GND
PE6 PWM1 for B5	PE6/CSI_D3/PWM1/DA_OUT/OWA_OUT		30 5V
PE5 17	PE5/CSI_D2/LCD_D17/DA_IN	PE0/CSI_HSYNC/LCD_D0/TWI2_SCK/UART0_RX	28 PE0 I2C2_SCK UART0_RX
PE4 19	PE4/CSI_D1/LCD_D16/DA_LRCK	PE1/CSI_VSYNC/LCD_D1/TWI2_SDA/UART0_TX	26 PE1 I2C2_SDA UART0_TX
PE3 for CTP IN7	PE3/CSI_D0/LCD_D9/DA_BCLK	PE2/CSI_PCLK/LCD_D8/CLK_OUT	24 PE2

LicheePi Nano



PD21 LCD_VSYNC		U1B LicheePi Nano	
PD19 LCD_DE	PD19/LCD_DE/SPI0_MISO	HPCOMFB HPCOM	44 HPCOMFB
SDCO_D1 4	PF0/SDCO_D1/DBG_MS/IR_RX	HPL	43 HPCOM
SDCO_D0 6	PF1/SDCO_D0/DBG_DI	HPR	41 HPL
SDCO_CLK 8	PF2/SDCO_CLK/UART0_RX	MICIN	39 HPR
SDCO_CMD 10	PF3/SDCO_CMD/DBG_DO	LINEIN	37 MICIN
SDCO_D3 12	PF4/SDCO_D3/UART0_TX	RESET	35 LINEIN
SDCO_D2 14	PF5/SDCO_D2/DBG_CK/PWM1	LRADC	33 RESET
SPI0_CLK 6	PC0/SPI0_CLK/SDC1_CLK	AVCC	31 LRADC
SPI0_CS 18	PC1/SPI0_CS/SDC1_CMD	TV_OUT	29 AVCC
SPI0_MISO 10	PC2/SPI0_MISO/SDC1_D0	USB_DP	27 TV_OUT
SPI0_MOSI 12	PC3/SPI0_MOSI/UART0_TX	USB_DM	25 USB_DP
			23 USB_DM

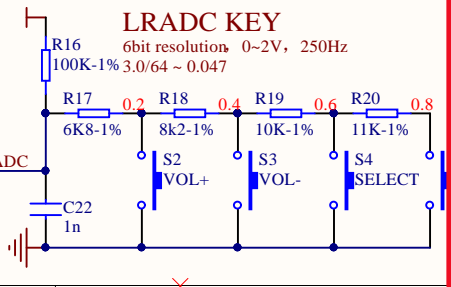
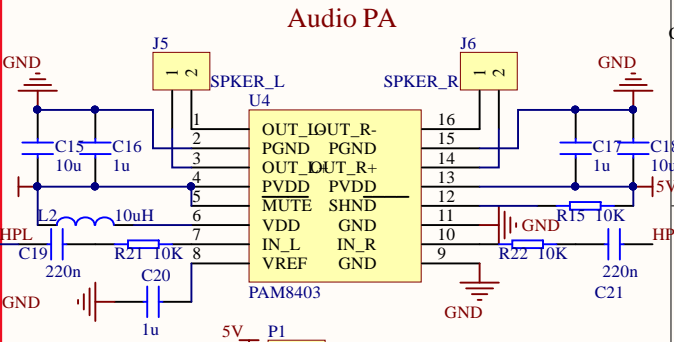
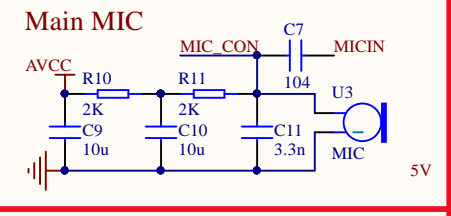
LicheePi Nano



PD12 LCD_D185		U1C LicheePi Nano	
PD13 LCD_D196	PD12/LCD_D18/TWI0_SCK	TPX1	65
PD14 LCD_D207	PD13/LCD_D19/UART2_TX	TPY1	66
PD15 LCD_D218	PD14/LCD_D20/UART2_RX	TPX2	67
PD16 LCD_D229	PD15/LCD_D21/UART2_RTS/TWI2_SDA	TPY2	68
PD17 LCD_D230	PD16/LCD_D22/UART2_CTS/TWI2_SDA		
PD6 LCD_D161	PD6/LCD_D10/TWI1_SDA		
PD7 LCD_D162	PD7/LCD_D11/DA_MCLK		
PD8 LCD_D133	PD8/LCD_D12/DA_BCLK		
PD9 LCD_D134	PD9/LCD_D13/DA_LRCK		
PD10 LCD_D145	PD10/LCD_D14/DA_IN		
PD11 LCD_D156	PD11/LCD_D15/DA_OUT		
PD0 LCD_D257	PD0/LCD_D2/TWI0_SDA		
PD1 LCD_D358	PD1/LCD_D3/UART1_RTS		
PD2 LCD_D459	PD2/LCD_D4/UART1_CTS		
PD3 LCD_D560	PD3/LCD_D5/UART1_RX		
PD4 LCD_D661	PD4/LCD_D6/UART1_TX		
PD5 LCD_D762	PD5/LCD_D7/TWI1_SCK		
PD18 LCD_CLK3	PD18/LCD_CLK/SPI0_CS		
PD20 LCD_HSYNC4	PD20/LCD_HSYNC/SPI0_CLK		

LicheePi Nano

LicheePi Nano原理图分为三部分
 Part A 最常用的引脚，2.54mm间距插针引出，可以直接插面包板，也可贴片
 Part B 较常用的，但是在核心板上已经有接插件连接，或者不方便插面包板的信号（如SB），使用1.27mm间距邮票孔引出，可以贴片或者焊接1.27mm排针使用。
 Part C 一般情况下用不到的引脚，比如LCD引脚一般可以直接使用板上接插件，也是1.27mm引脚引出，可以贴片使用。
 不使用Part C时，可以删去封装中的对应引脚，方便焊接。



Title	S5 START		Revision
Size	A4	Number	
Date:	2017/12/31	Sheet of	
File:	E:\嵌入式\lpi-nano-dock.SchDoc	Drawn By:	

Comment	Description	Designator	Footprint	LibRef	Quantity
104	SMD-CAP	C1, C6, C7, C12	0402C	CAP	4
1n	SMD-CAP	C2, C4, C22	0402C	CAP	3
10u	SMD-CAP	C3, C5, C9, C10, C15, C18	0603C	CAP	6
22p	SMD-CAP	C8	0402C	CAP	1
3.3n	SMD-CAP	C11	0402C	CAP	1
200p	SMD-CAP	C13, C14	0402C	CAP	2
1u	SMD-CAP	C16, C17, C20	0402C	CAP	3
220n	SMD-CAP	C19, C21	0402C	CAP	2
DIP8	Connectors	J1	DIP8-2.54_SMT	DIP8	1
PJ-342		J2	PJ-342	PJ-342	1
SIP2	jointbar	J3, J8	SIP2-2.54	SIP2	2
FPC6		J4	FPC-6P-0.5	FPC6	1
SPKER_L	jointbar	J5	SIP2_2.54_smt	SIP2	1
SPKER_R	jointbar	J6	SIP2_2.54_smt	SIP2	1
SIP4	jointbar	J9	SIP4-2.54	SIP4	1
1.8uH	电感	L1	0603R	L1	1
10uH	电感	L2	0805R	L1	1
RGB_3528		LED1	LED_RGB3528	LED_RGB3528	1
USB	USB 1.1, Right Angle, SMT, A Type, Plug, 4 Position, Natural	P1	USBB	USB	1
5R1		R1	0402R	R	1
10K		R2, R14, R15, R21, R22	0402R	R	5
4.7K		R3, R4, R6, R23, R24	0402R	R	5
0R		R5, R7, R12	0402R	R	3
22R		R8	0402R	R	1
0R(NC)		R9	0402R	R	1
2K		R10, R11	0402R	R	2
75R-1%		R13	0402R	R	1
100K-1%		R16	0402R	R	1
6K8-1%		R17	0402R	R	1
8k2-1%		R18	0402R	R	1
10K-1%		R19	0402R	R	1
11K-1%		R20	0402R	R	1
RST	Switch	S1	key4_3x4	SW-PB	1
VOL+	Switch	S2	key4_3x4	SW-PB	1
VOL-	Switch	S3	key4_3x4	SW-PB	1
SELECT	Switch	S4	key4_3x4	SW-PB	1
START	Switch	S5	key4_3x4	SW-PB	1
LicheePi Nano		U1	lpi-nano-dip	lpi-nano	1
LCD		U2	LCD_SPL_14P_top_1.8	LCD_SPL_14P	1
MIC		U3	MIC_6027	MIC	1
PAM8403		U4	SO-16N	PAM8403	1